

StarVX



PRE-QUALIFIED HPEC PLATFORMS

- ▶ Compact 3U VPX Air and Conduction Cooled Solutions
- ▶ Turnkey Linux Parallel x86 Systems
- ▶ Balanced I/O and CPU Performance
- ▶ Up to 4 GB/s Board to Board with TCP/IP Sockets

► INTRODUCTION

STARVX IS THE OPTIMAL PLATFORM TO HELP ELECTRONIC WARFARE, RADAR/SONAR, COMMAND AND CONTROL, ISR AND SIGNAL PROCESSING APPLICATIONS BENEFIT FROM THE TREMENDOUS JUMP IN PROCESSING POWER AND DATA I/O BANDWIDTH ALLOWED BY THE OPENVPX™ STANDARD, HIGH PERFORMANCE CPUs AND SOPHISTICATED BACKPLANE TECHNOLOGY.

STAR VX IS DESIGNED TO HELP DEVELOPERS DRAMATICALLY STREAMLINE THE PROCESS FROM DESIGN TO FIELD DEPLOYMENT OF NEXT GENERATION RUGGED PARALLEL COMPUTING. UNLIKE PREVIOUS GENERATIONS OF HPEC COMPUTERS, STARVX IS BASED ONLY ON MAINSTREAM IT TECHNOLOGY (TCP/IP, PCIE, INTEL® CPU, LINUX), AND WAS CO-DEVELOPED WITH INTEL AND PLX,

NOW OFFERING THE FIFTH GENERATION INTEL® XEON® D OCTO CORE™ PROCESSOR, STARVX LEVERAGES KONTRON'S EXTENSIVE COMPUTING PLATFORM DESIGN CAPABILITIES IN COMPACT AIR-COOLED OR CONDUCTION-COOLED ENVIRONMENTS.

PERFORMANCE

StarVX main asset lies in the unique balance offered between CPU computing power and I/O bandwidth. Leveraging hi-speed switched PCIe and 10 GETH on the backplane, this architecture offers the necessary infrastructure for efficient implementation of the most demanding sensor processing applications. On the VX3058 CPU Board, Xeon® Processor D enjoy sustained 16 GB/s to/from the memory subsystem, while the board architecture provides up to 6 GB/s sustained bandwidth on the data plane through TCP/IP (4 GB/s on the PCIe backplane thanks to VXFabric™ and two 10 GETH baseKR Links capable of 1 GB/s sustained throughput) see VX3058 documentation for details.

| | Sustained TCP bandwidth | CPU load TCP (load as a percentage of one multicore CPU) | Sustained raw bandwidth ⁽¹⁾ |
|-------------------------|-------------------------|--|--|
| PCIe x8 gen3 | 4.4 Gbytes/s | 10% (quad core) | 5.6 GBytes/s |
| PCIe x4 gen3 | 2.5 Gbytes/s | 6% (quad core) | 2.8 GBytes/s |
| PCIe x4 gen2 | 1.3 Gbytes/s | 8% (dual core) | 1.5 GBytes/s |
| PCIe x4 gen1 or x2 gen2 | 0.6 Gbytes/s | 5% | 0.8 GBytes/s |

⁽¹⁾ Very light CPU load, transfer handled directly by switch DMA engine.

SOFTWARE BASELINE

StarVX software baseline is relying on Linux™. By default, x86_64 Fedora is proposed with numerous add-ons:

- VXFabric: TCP/IP on PCIe backplanes

HARDWARE BASELINE

StarVX hardware is based on 3U VPX technology (also available in 6U VPX) from Kontron. StarVX building blocks are:

- Computing blades: single board computers (4, 8 or 16 cores) with 16 GB DDR3.
- Co-Processing: FPGA boards (Virtex 6), GPGPU boards.
- Sensor Interface: FPGA boards (Virtex 6) with FMC slots, sFPDP up to 6 channels available, 10 GETH or 40 GETH input ports (on the 10 GETH switch Rear Transition Module).
- Development chassis: 3U VPX subtrack, up to 12.5 HP slots.
- Switching: VX3920 24 ports 10G/40G Ethernet backplane switch, VX3905 hybride PCIe/ETH switch



CENTRALIZED HEALTH MANAGEMENT

StarVX relies on VXControl™: the computer management board (CMB) provides extensive health status information, at the board and subrack level. Airflow temperature is controlled on each slot. Payload boards can be held in standby mode to accommodate low energy surveillance mode. Fine grained boot stage information is also available for each CPU (16 levels: from BIOS to user application defined levels).

CENTRALIZED POWER MANAGEMENT

Modern CPU offer multiple power management features to control the right compromise of power consumption, power dissipation and computing power using various profiles of CPU speeds and multi-threading options. VXControl™ allows to select pre-programmed profiles for each CPU blade from the health management interface.

COOLING

Air cooled versions of StarVX include single or dual fan tray option. Fans are managed under VXControl™ by the management board embedded in the subrack. All hardware building blocks are also available in extended temperature conduction cooling version.

THIRD PARTY SOFTWARE

The Gedae Idea© compiler, from Gedae Inc. can automate the implementation of efficient complex applications for StarVx

StarVX is also compatible with OpenStack, the preferred software baseline for virtual machine deployment, thanks to a specific open flow version of the VX3920 (on demand).

BASE CONFIGURATION AND AVAILABLE RESULTS

The base configuration for StarVX is defined as follows:

- ▶ One air cooled enclosure with management board
- ▶ Eight-slot VPX backplane qualified for 10GBASE-KR and gen3 PCIe for 5 HP boards
- ▶ One 10G/1G GETH L2/L3 24+1 ports switch board
- ▶ One gen2 PCIe 32 lanes switch board
- ▶ Fedora 16 Linux distribution with VXFabric™/VXControl™ support packages.

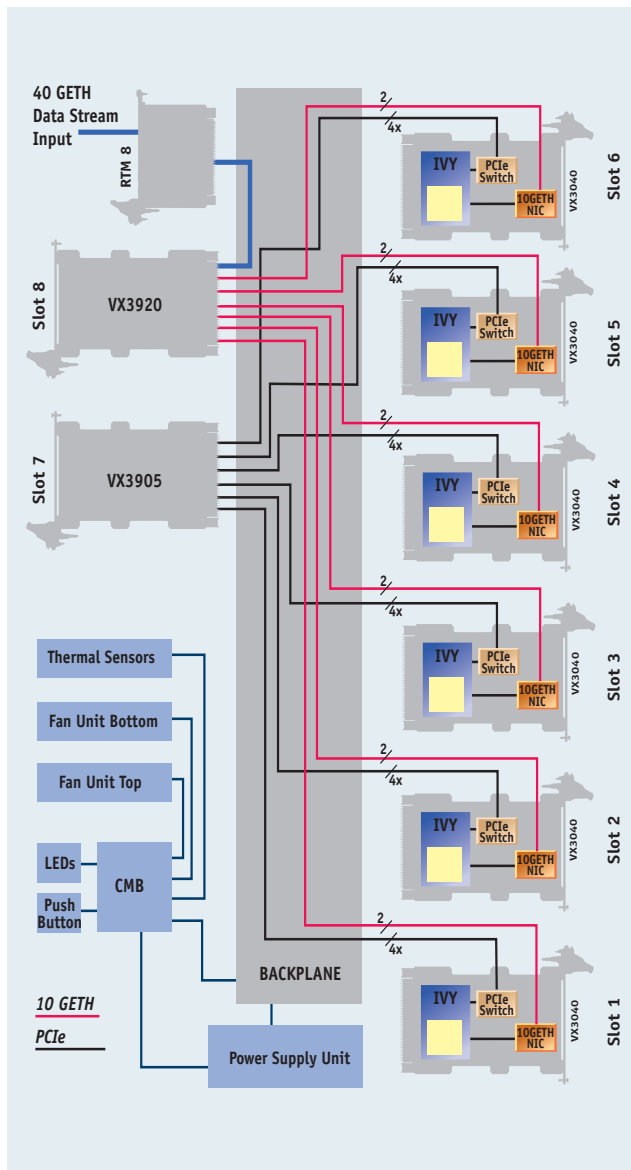
This configuration has been used for numerous benchmark and application use case (SAR applications, ETH load balancing strategies, Direct addressing of computing nodes within StarVX etc) in the course of the cooperation between Intel and Kontron. Contact your Kontron representative for details about the configurations used and benchmark results.



BUILD YOUR OWN STARVX

Beyond this base configuration, the following information can help designing other configurations from the existing StarVX components:

- ▶ Lab Enclosure: can house and manage up to 12 3U boards
- ▶ PCIe switch: 256 Gb/s capacity. Can route up to 8 payloads via x4 PCIe (Th.BW: 2 GB/s) or up to 16 via x2 PCIe. Also offers a x4 PCIe front panel connection for rack extensions. Includes a L2 GETH Switch for small and compact configurations.
- ▶ Backplanes: qualified backplanes include single and dual star centralized configurations sustaining 10 Gbits/s lanes.
- ▶ FPGA boards: Virtex6 3U VPX FPGA boards offer FMC slots, compliant with VITA 57 standard. Qualified configurations include sFPDP multi channel interface.
- ▶ GPGPU boards: ATI Radeon™ E6460 or E6760 3U VPX boards can be part of the StarVX system to implement multi screen GPU or GPGPU computing requirements.
- ▶ 10G/40G Ethernet switch: 24 ports 10 Geth L2/L3 switch plus 1 port 1000BASE-T. 10 Geth lanes can be grouped by 4 to form one or more 40 GETH ports. 10GBASE-KR, 40GBASE-KR4 on backplane, SFP+ on front or rear, QSFP+ on Rear. Conduction cooled version -40°C to +85°C.



TAILORED CONFIGURATIONS

Customizing StarVX starts with a phase of requirement collection depending on the target application (data flow and bandwidth, latency, computing power, storage, size and weight constraints) which allow to build the most appropriate computer from a list of existing, pre-validated computing elements.

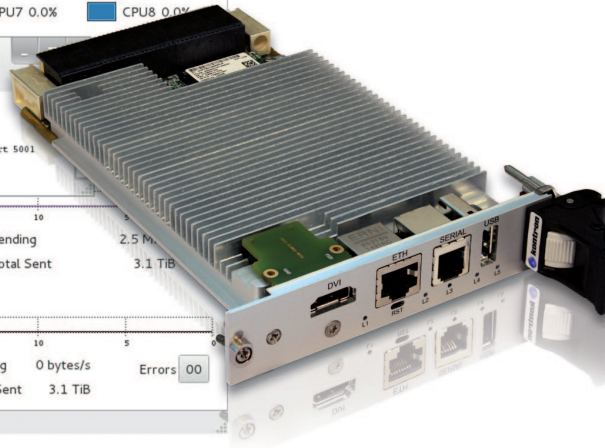
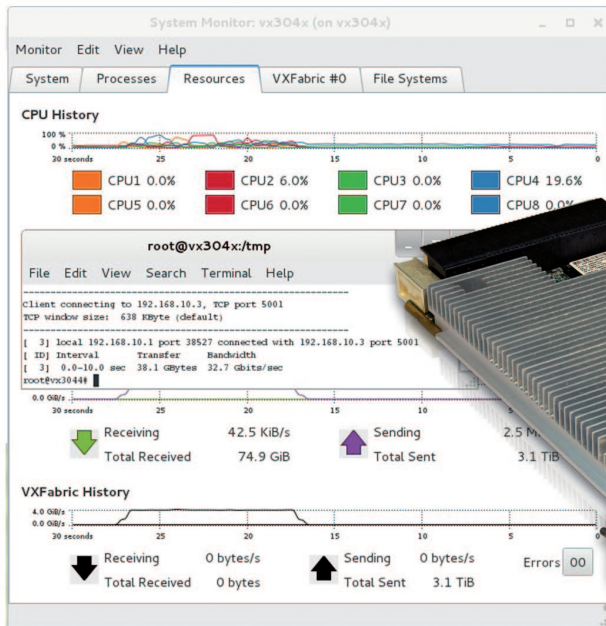
Coming from the existing Kontron 3U ecosystem, each element is dedicated to a specific function: computing, switching, storage, cooling, power supply, and has been qualified to operate under the target environment (Lab, Shelter, Vehicle)

Within weeks, a development version of the target computer is assembled and tested under stress (thanks to modular test tools) and delivered. This version is used early in the process for the application software integration phase.

Kontron provides expert level service to address all application design issues. This covers I/O and CPU bottlenecks, computation optimization, suggestion of third party tools or heterogeneous computing (mix of different processor architecture, use of FPGA or GPGPU in the computing loop)

During that same period, the final computer is finalized to match the full scale application and the target environment. Test phase 1 qualifies the computer for temperature and vibration, test phase 2 is the final approval using the customer application code.

VXFABRIC™ PERFORMANCE USING IPERF BETWEEN VX3058 CPUs AND X8 PCIe GEN3 BACKPLANE



STARVX COMPONENTS

MANAGED ENCLOSURE

SR3U-xxx 3U VPX 12-slot (5 HP) with dual fan tray and health management board

PAYLOAD BOARDS

- ▶ VX3058 Intel® Xeon® D Octo Core™ 3U SBC with x8 PCIe gen3 and dual 10 GETH
- ▶ VX3044 Intel® Core™ i7 - 3612QE - Quad-Core™ 3U SBC with x8 PCIe gen3 and dual 10 GETH
- ▶ VX3836 Xilinx Virtex6™ FPGA board with VITA 57 FMC support
- ▶ VX3327 ATI Radeon™ E6460 or E6760 Silicon 3U VPX GPU/GPGPU boards

SWITCH BOARDS

- ▶ VX3905 PCIe switch (with GETH L2 switch capability up to 10 ports)
- ▶ VX3910 L2/L3 GETH switch
- ▶ VX3920 L2/L3 10 GETH switch

SOFTWARE

- ▶ Linux Fedora with VXControl™ VXFabric™

▶ CORPORATE OFFICES

EUROPE, MIDDLE EAST & AFRICA

Lise-Meitner-Str. 3-5
86156 Augsburg
Germany
Tel.: + 49 821 4086 0
Fax: + 49 821 4086 111
info@kontron.com

NORTH AMERICA

14118 Stowe Drive
Poway, CA 92064-7147
USA
Tel.: + 1 888 294 4558
Fax: + 1 858 677 0898
info@us.kontron.com

ASIA PACIFIC

1~2F, 10 Building, No. 8 Liangshuihe 2nd Street,
Economical & Technological Development Zone,
Beijing, 100176, P.R.China
Tel.: +86 10 63751188
Fax: +86 10 83682438
info@kontron.cn